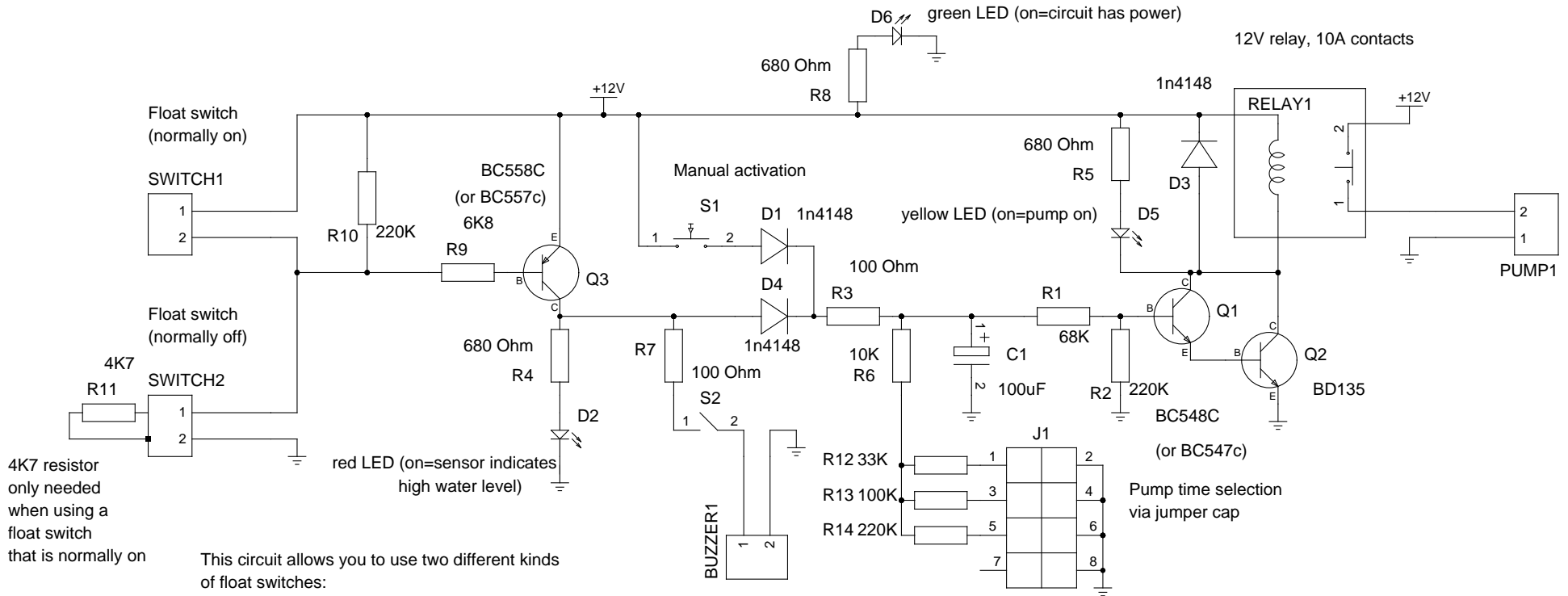


Sump pump control circuit with OFF delay



4K7 resistor only needed when using a float switch that is normally on

red LED (on=sensor indicates high water level)

This circuit allows you to use two different kinds of float switches:

- a switch that is open when the water level is low (normally off)
- a switch that is closed when the water level is low (normally on)

When using the "normally on" type of switch then a resistor needs to be added in the position of SWITCH2. You need one float switch only, not two.

guidosocher@fastmail.com

BC548C (or BC547c)
BC558C (or BC577c)

