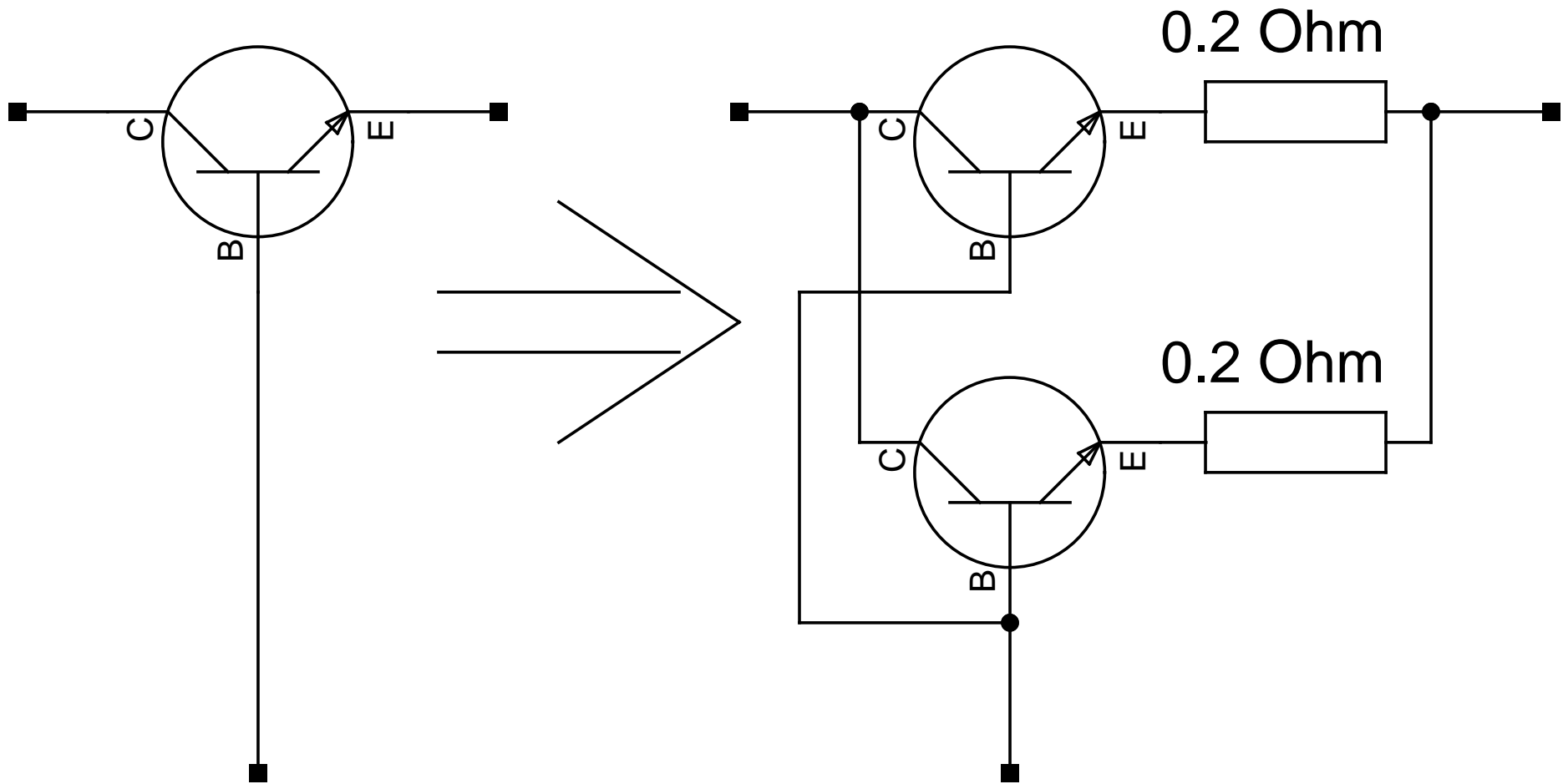


How to add a second power transistor



to use two power resistors instead of one you should add resistors in the emitter line to ensure even current distribution among the two resistors.